

All Modul COW

Non-powered & Powered



Added value in healthcare logistics & IT

All Modul COW applications

Mobile IT workstations

Blood collection



Diagnostics

Vital signs/ECG



Electronic
Patient Record



Electronic
Prescription
Service /Medica-
tion dispensing



Patient
admission



PDMS



PACS



Video
conferencing



Select your COW



Select the base for the COW

COW for laptop

COW for monitor

Laptop S-COW



- ✓ Laptop on worktop
- ✓ Pneumatic spring system
- ✓ Competitively priced

See pages 4 & 5

All Modul laptop COW



- ✓ Accessible worktop
- ✓ Pulley system
- ✓ Attractive price

See pages 6-7

VESA S-COW



- ✓ Large worktop
- ✓ Pneumatic spring system
- ✓ Competitively priced

See pages 8-9

All Modul VESA COW



- ✓ Smaller worktop
- ✓ Pulley system
- ✓ Attractive price

See pages 10-11

Power?

All Modul battery pack

See page 7

Power?

Power supply	Medical PC with battery packs
See pages 12-14	See pages 16-17

Select the accessories for the COW See pages 18-27

Practical examples

COW with MedEye medication dispensing solution

See pages 28-29

COW with various IT solutions

See pages 30-31

Laptop S-COW

Art. no. ITAMSCOWLAP

Applications

- ✓ Electronic Patient Record
- ✓ Patient admission

Convenience

- ✓ Large worktop.
- ✓ Laptop on worktop with laptop clamp to protect from theft.
- ✓ Customized laptops are possible with large series.
- ✓ Supports up to 10 kg.
- ✓ Suitable for some accessories.
- ✓ Optional keyboard tray.
- ✓ Competitively priced.



Laptop clamp for securing laptop
Art. no. ITAMSCOWLH

Hygienic

- ✓ Clean according to infection protection guidelines.
- ✓ Easy-to-clean, smooth worktop.

Services

- ✓ Comprehensive service and warranty options.
- ✓ Delivered as Ready to Roll.

Quality

- ✓ Durable aluminum and plastic parts.
- ✓ Robust.
- ✓ Anti-static wheels.

Ergonomics

- ✓ Very lightweight construction for easy maneuverability of the COW.
- ✓ Large worktop.
- ✓ Height is easy to adjust.
- ✓ Optimally positioned handle on the front.

- ✓ The braked wheels are easy to operate, even with medical footwear. The same top-to-bottom foot movement is used to both set and release the brake (two-step braking system).
- ✓ No sharp edges.



To set the brake, push the brake down from top to bottom with the foot.



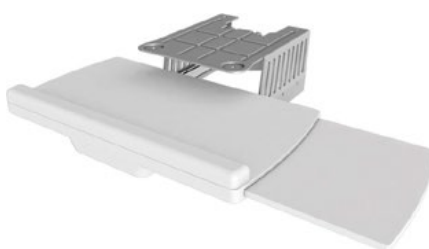
To release the brake, push the brake down from top to bottom with the foot (same as for setting the brake).

Overview of laptop S-COW product specifications

Total load capacity	1 to 9.5 kg	
Net weight	16.7 kg	
Worktop dimensions	550 x 580 mm, including handle	

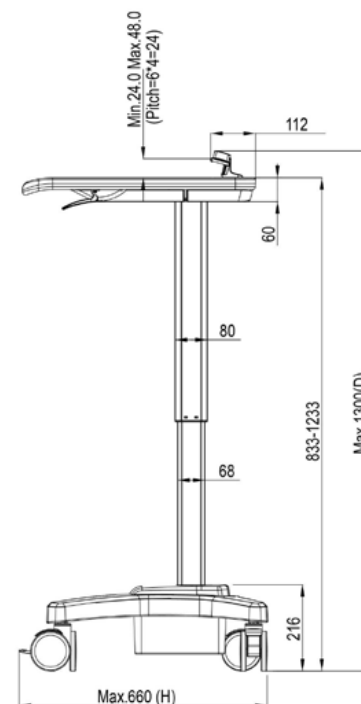
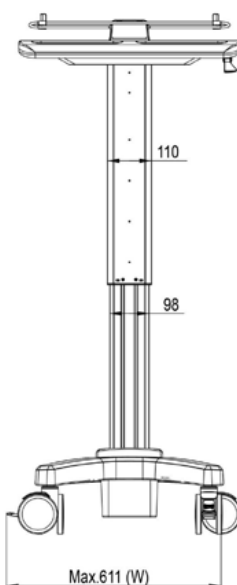
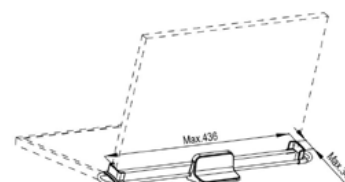
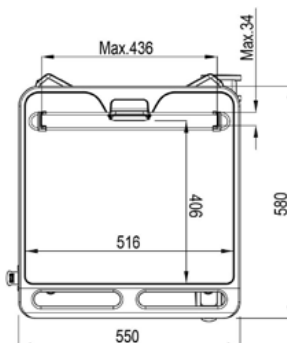
Laptop fixation

Laptop support	Display type	Laptop/notebook
	Maximum laptop width	17.3"



Optional keyboard tray for the Laptop S-COW and VESA S-COW
Art. no. ITAMSCOWKT

Laptop S-COW dimensions



All Modul laptop COW

Art. no. ITAMNPLAPTOPCOW

Applications

- ✓ Blood collection (injection cart)
- ✓ Electronic Patient Record
- ✓ Electronic Prescription Service / Medication dispensing
- ✓ Patient admission

Convenience

- ✓ Routinely equipped with a scanner and mouse holder.
- ✓ Routinely equipped with a coiled cable holder.
- ✓ Large assortment of accessories available.
- ✓ Can be flexibly adapted to other applications.
- ✓ Laptop is underneath the worktop, leaving the worktop free for working.
- ✓ Can be ordered with optional coiled cable for easy laptop battery charging.
- ✓ Can be ordered with optional All Modul battery pack for additional autonomy.
- ✓ Optional heavy-duty column for placing heavy drawers/medication cassettes.



The laptop COW in the example features an optional scanner holder attached to the worktop.

Hygienic

- ✓ Clean according to infection protection guidelines.
- ✓ Easy-to-clean, smooth worktop.

Services

- ✓ Comprehensive service and warranty options.
- ✓ Ready to Roll delivery.

Quality

- ✓ Durable aluminum and plastic parts.
- ✓ Robust.
- ✓ Anti-static wheels.
- ✓ Unique height-adjustment mechanism.

Ergonomics

- ✓ Very lightweight construction for easy manoeuvrability of the COW.
- ✓ Easily height-adjustable.
- ✓ The braked wheels are easy to operate, even with medical footwear. The same top-to-bottom foot movement is used to both set the brake and release the brake from the wheel (two-step braking system).
- ✓ Optimally positioned handle on the front.
- ✓ Routinely equipped with integrated handle on the back.
- ✓ The weight of the height adjustment can be modified.
- ✓ The pull-out keyboard tray can be tilted and features an integrated wrist support. The retractable mouse tray is suitable for right or left-handed users.
- ✓ No sharp edges.

Overview of All Modul Laptop COW product specifications

Total load capacity	15 kg or 50 kg with heavy-duty column	
Net weight	29.5 kg	
Worktop dimensions	550 x 480 mm, including handle	
Laptop		
Laptop support	Display type	Laptop/notebook
	Maximum laptop width	17.3"
	Cable management option	Yes

Art. no. ITAMACUPACK
All Modul battery pack

All Modul battery pack: a unique, lightweight technology for more autonomy at a low TCO.

- ✓ Capacity: 180Wh / 50,000mAh
- ✓ Weight: 1,300 grams
- ✓ Charging time: 6-8 hours
- ✓ USB outputs: 2x 5V 2.1A / 2x 5V 1.0A
- ✓ DC outputs: 12V 2.5A / 20V 3.0A



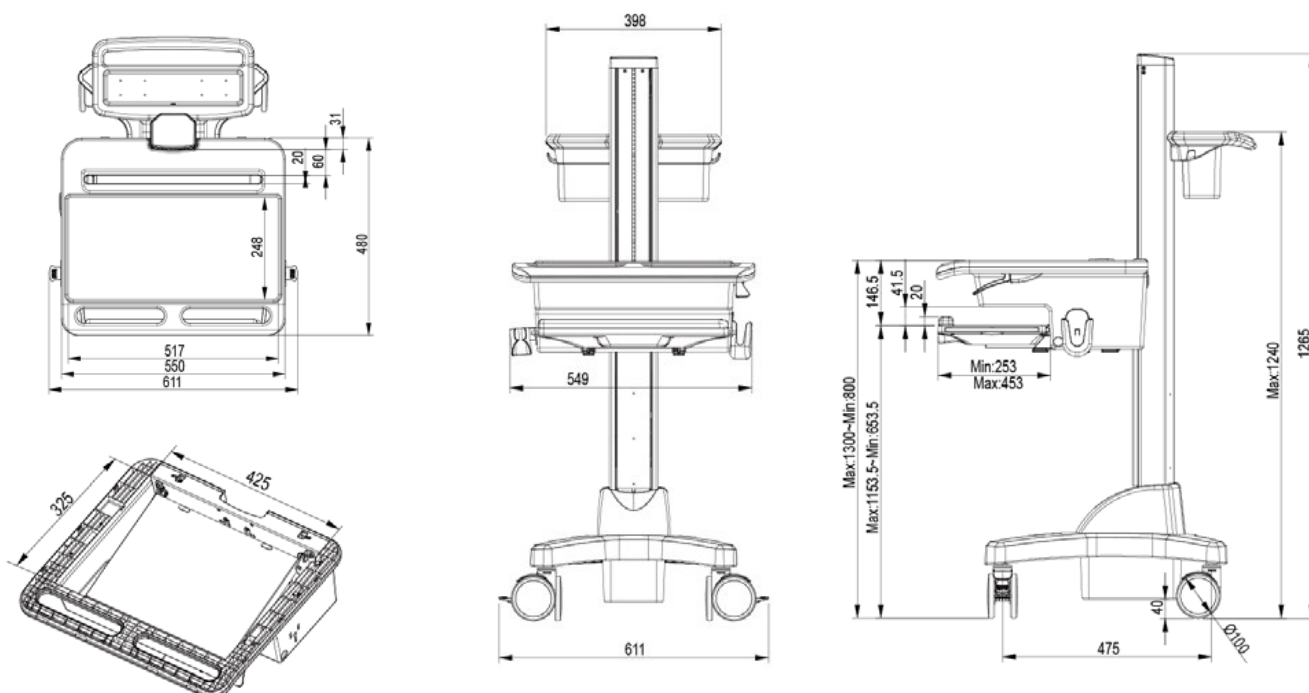
Art. no. ITSPIRAALKABELEU
Coiled cable



Art. no. ITSCHUKOIEC
IEC to SCHUKO cable



All Modul laptop COW dimensions



VESA S-COW

Art. no. ITAMSCOWVES

Designed for the healthcare industry

- ✓ The S-COW is a computer on wheels (COW) that we designed to meet our customers' needs for a simple, high-quality, lightweight and inexpensive COW.
 - ✓ The S-COW is not only easy to use, it also features perfect color coordination, a streamlined style and a solid structure design for all medical applications.
 - ✓ The height of the S-COW is easy to adjust and the worktop has a lifting range of 83.30 cm to 123.30 cm, suitable for users of any height. In addition to the standard worktop, we can also make customized worktops.
- This means we can convert the product into, for example, a height-adjustable cart that can be used for blood pressure measurements or other medical applications.
- ✓ The product design features a nice color configuration and solid construction that is capable of supporting 1-10 kg or 10-20 kg of weight.
 - ✓ The S-COW has dual wheels, with the front 2 wheels being braked. Thanks to its light weight and dual wheels, the S-COW is very easy to maneuver.

Applications

- ✓ Electronic Patient Record
- ✓ Patient admission

The VESA S-COW in the example features an optional keyboard tray (Art. no. ITAMSCOWKT).

Convenience

- ✓ Large worktop.
- ✓ Customized laptops are possible with large series.
- ✓ Supports up to 10 kilograms.
- ✓ Suitable for some accessories.
- ✓ Optional keyboard tray (Art. no. ITAMSCOWKT).
- ✓ Competitively priced.



Hygienic

- ✓ Clean according to infection protection guidelines.
- ✓ Easy-to-clean, smooth worktop.

Services

- ✓ Comprehensive service and warranty options.
- ✓ Ready to Roll delivery.

Quality

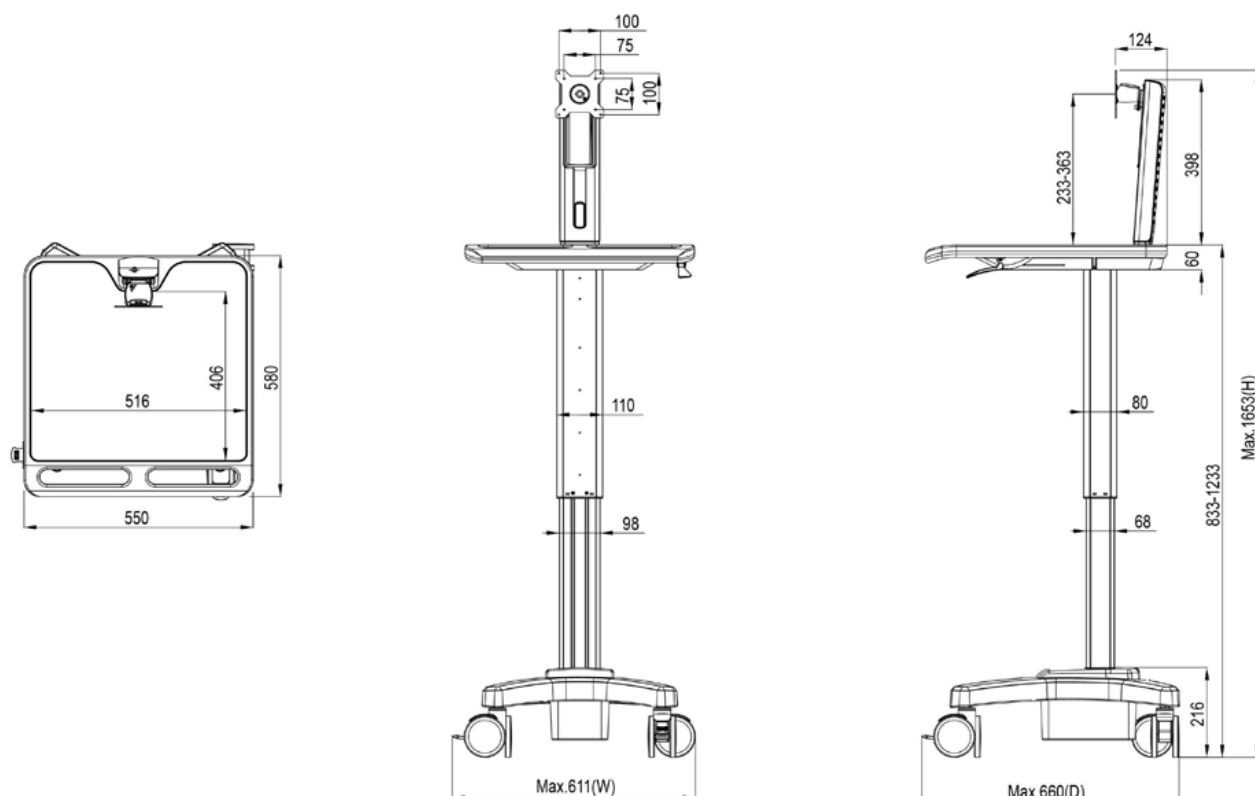
- ✓ Durable aluminum and plastic parts.
- ✓ Robust.
- ✓ Anti-static wheels.

Ergonomics

- ✓ Very lightweight construction for easy manoeuvrability of the COW.
- ✓ Large worktop.
- ✓ Easily height-adjustable.
- ✓ Optimally positioned handle on the front.
- ✓ The braked wheels are easy to operate, even with medical footwear. The same top-to-bottom foot movement is used to both set the brake and release the brake from the wheel (two-step braking system).
- ✓ No sharp edges.

Overview of VESA S-COW product specifications		
Total load capacity	7.5 to 15.5 kg	
Net weight	18.7 kg	
Worktop dimensions	550 x 580 mm, including handle	
Display system		
Monitor column	Height adjustment	130 mm (5.12")
	Resistance adjustable by weight	Includes Allen wrench
	Cable management option	Yes
Universal VESA holder	Tiltable	-5° (down) ~ +25° (up)
	Rotation	360°
	Resistance adjustable by weight	Includes Allen wrench
Display support	VESA monitor mount	100x100 mm / 75x75 mm
	Display type	1 PC
	Panel size support	Up to 24"
	Weight load	6-12 kg

VESA S-COW dimensions



All Modul VESA COW

Art. no. ITAMNPDISPLAYCOW

Applications

- ✓ Blood collection (injection cart)
- ✓ Diagnostics
- ✓ Electronic Patient Record
- ✓ Electronic Prescription Service / Medication dispensing
- ✓ Patient admission
- ✓ PDMS (Patient Data Management System)
- ✓ Radiology (PACS)
- ✓ Video conferencing

Hygienic

- ✓ Clean according to infection protection guidelines.
- ✓ Easy-to-clean, smooth worktop.
- ✓ Fanless.



Convenience

- ✓ Comes standard with a scanner and mouse holder.
- ✓ Comes standard with a coiled cable holder.
- ✓ Large assortment of accessories available.
- ✓ Can be flexibly adapted to other applications.
- ✓ Can be ordered with optional All Modul Power Supply for additional autonomy or with DT Research All-in-One (AIO) PC.
- ✓ Optional heavy-duty column for placing drawers/medication cassettes.

Services

- ✓ Comprehensive service and warranty options.
- ✓ Ready to Roll delivery.

Quality

- ✓ Durable aluminum and plastic parts.
- ✓ Robust.
- ✓ Anti-static wheels.
- ✓ Unique height adjustment mechanism.

Ergonomics

- ✓ Very lightweight construction for easy manoeuvrability of the COW.
- ✓ The braked wheels are easy to operate, even with medical footwear. The same top-to-bottom foot movement is used to both set and release the brake (two-step braking system).
- ✓ Easily height-adjustable. The weight of the height adjustment can be modified.
- ✓ The height of the monitor can be set independently of the COW's height.
- ✓ The monitor can be tilted for optimal viewing height.
- ✓ Optimally positioned handle on the front.
- ✓ Standard integrated handle on the back.
- ✓ The pull-out keyboard tray is tiltable and features an integrated wrist support.
- ✓ The retractable mouse tray is suitable for right or left-handed users.
- ✓ No sharp edges.

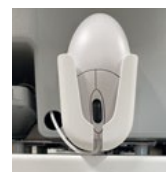
Overview of All Modul VESA COW product specifications		
Total load capacity	15 kg or 50 kg with Heavy Duty column	
Net weight	31 kg	
Worktop dimensions	550 x 480 mm, including handle	
Display system		
Monitor column	Height-adjustable	130 mm (5.12")
	Resistance adjustable by weight	Includes Allen wrench
	Cable management option	Yes
Universal VESA holder	Tiltable	-5° (down) ~ +25° (up)
	Rotation	360°
	Resistance adjustable by weight	Includes Allen wrench
Display support	VESA monitor mount	100x100 mm/75x75 mm
	Display type	Single monitor
	Panel size support	Up to 24"
	Weight load	4-12 kg



Anti-static wheels

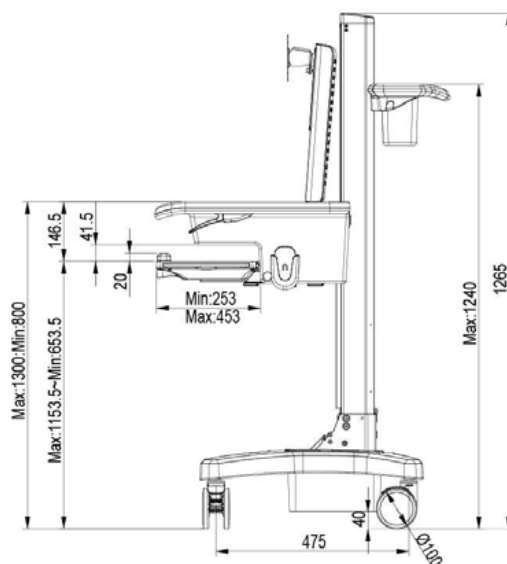
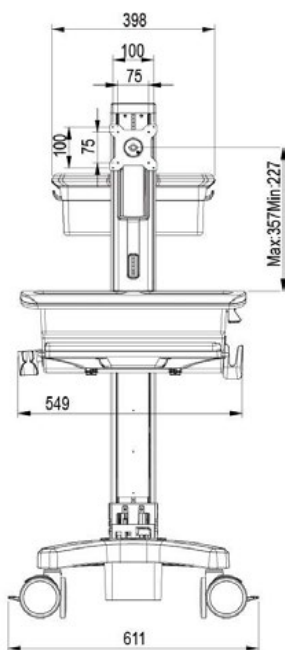
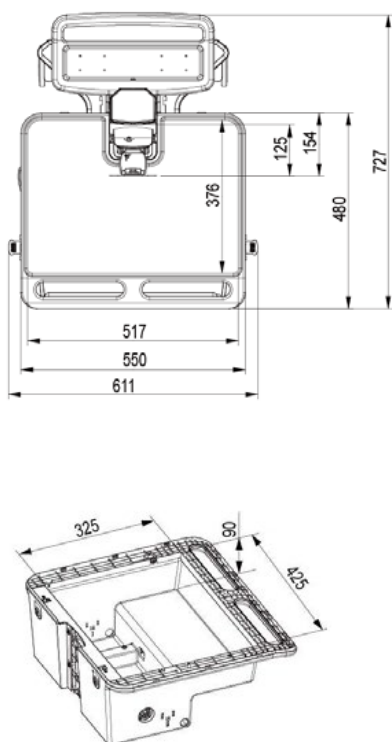


Unique braking system



Mouse holder with a slot for the USB cable of a medical mouse.

All Modul VESA COW dimensions



All Modul Powered VESA COW

Art. no. ITAMPOWDISPLAYCOW

Applications

- ✓ Blood collection (injection cart)
- ✓ Diagnostics
- ✓ Electronic Patient Record
- ✓ Electronic Prescription Service / Medication dispensing
- ✓ Patient admission
- ✓ PDMS (Patient Data Management System)
- ✓ Radiology (PACS)
- ✓ Video conferencing

Convenience

- ✓ Comes standard with a scanner and mouse holder.
- ✓ Routinely equipped with a coiled cable and holder.
- ✓ Large assortment of accessories available.
- ✓ Can be flexibly adapted to other applications.
- ✓ Optional Heavy Duty column for placing drawers/medication cassettes.



Hygienic

- ✓ Clean according to infection protection guidelines.
- ✓ Easy-to-clean, smooth worktop.
- ✓ Fanless.
- ✓ Optional clean-room version.

Services

- ✓ Comprehensive service and warranty options.
- ✓ Ready to Roll delivery.

Quality

- ✓ Durable aluminum and plastic parts.
- ✓ Robust.
- ✓ Anti-static wheels.
- ✓ Unique height adjustment mechanism.

Ergonomics

- ✓ Very lightweight construction for easy manoeuvrability of the COW.
- ✓ The braked wheels are easy to operate, even with medical footwear. The same top-to-bottom foot movement is used to both set the brake and release the brake from the wheel (two-step braking system).
- ✓ Easily height-adjustable. The weight of the height adjustment can be modified.
- ✓ The monitor is height-adjustable separately from the COW.
- ✓ The monitor is tiltable for optimal viewing height.
- ✓ Optimally positioned handle on the front.
- ✓ Standard integrated handle on the back.
- ✓ The pull-out keyboard tray is tiltable and features an integrated wrist support.
- ✓ The retractable mouse tray is suitable for right- or left-handed users.
- ✓ No sharp edges.



Art. no. ITAMPCBAT All Modul power supply

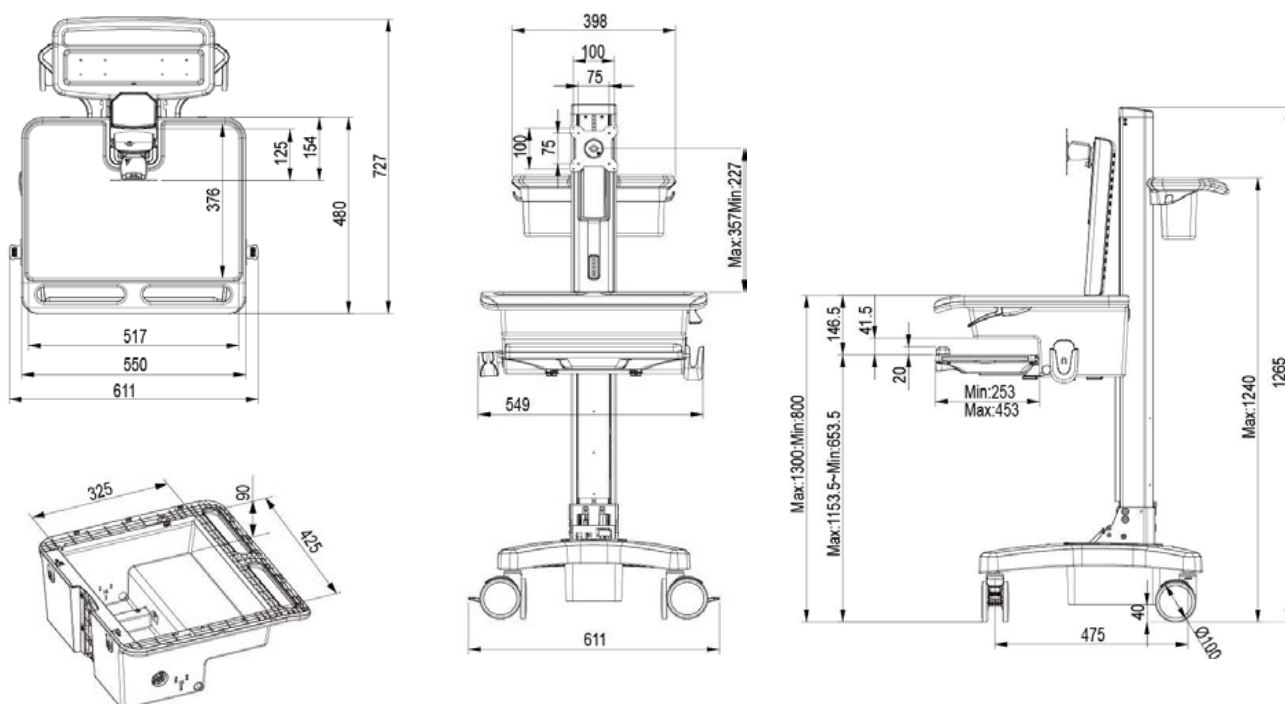
All Modul power supply: a unique, lightweight technology for a high degree of autonomy at a low TCO.

- ✓ Ideal for your medical IT workstations.

- ✓ Lightweight, fanless.
- ✓ Capacity: 520 Whr
- ✓ Weight: 6 kg
- ✓ Charging time: 3 to 4 hours
- ✓ Input: 110V or 230V
- ✓ Output: 12V / 19V / 48V

Overview of All Modul Powered VESA COW product specifications		
Total load capacity	15 kg or 50 kg with Heavy Duty column	
Net weight	37 kg	
Worktop dimensions	550 x 480 mm, including handle	
Display system		
Monitor column	Height-adjustable	130 mm (5.12")
	Resistance adjustable by weight	Includes Allen wrench
	Cable management option	Yes
Universal VESA holder	Tiltable	-5° (down) ~ +25° (up)
	Rotation	360°
	Resistance adjustable by weight	Includes Allen wrench
Display support	VESA monitor mount	100x100 mm / 75x75 mm VESA
	Display type	Single monitor
	Panel size support	Up to 24"
	Weight load	4-12 kg
Power supply		
Type	Internal supply	Battery capacity 520 Whr
Ports	Input	110V or 230V
	Output	12V / 19V / 48V

All Modul Powered VESA COW dimensions



Powered VESA COW

Internal power supply



All Modul power supply

All Modul power supply, a unique, light-weight technology for a high degree of autonomy for a low TCO.

- ✓ Ideal for your medical IT workstations.
- ✓ Lightweight, fanless.
- ✓ Capacity: 520 Whr
- ✓ Weight: 6 kg
- ✓ Charging time: 3 to 4 hours
- ✓ Input: 110V or 230V
- ✓ Output: 12v/19v/48v



Art. no. ITAMPCBAT Battery



Art. no. ITAMPCVS Distribution station



Art. no. ITAMPCCHAR Charger



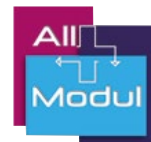
Art. no. ITAIODTBATLEZ Battery indicator



A powered COW can be outfitted with LED lighting for use during the night shift

DT Research 524T

Medical AIO PC for powered COW



The DT Research DT524T medical All-in-One (AIO) PC integrates a 24-inch TFT LCD with an energy-efficient Intel® Core™ i-platform in a slim aluminum enclosure without fan. The LCD-integrated system was designed for medical and healthcare applications and offers space-saving solutions for healthcare professionals to monitor, record and retrieve patient information and other healthcare-related data.

The built-in WiFi and Bluetooth connection and data recording options make data access efficient and optimize staff workflows.

The DT524T can be cleaned according to infection protection guidelines and it has an IP65 front and IPX2 enclosure. Optional accessories include a UPS battery with an autonomy of 20 minutes, a 4K display and a capacitive touchscreen.



Optional RFID box

Features of the DT Research 524T medical AIO PC

- ✓ Fanless medical PC.
 - ✓ Robust, lightweight aluminum enclosure.
 - ✓ 24" full HD, optional 4K.
 - ✓ IP65 front.
 - ✓ EN60601-1 certified.
 - ✓ Clean according to infection protection guidelines.
 - ✓ Optional front camera, back-up battery, RFID reader, capacitive touch.
- Find out more at allmodul.nl/aio

All to do

- ✓ Do you want to extend your COW's service life with maintenance?
- ✓ Are you missing an SLA partner?
- ✓ Do you want to create more sustainability?
- ✓ Do you want to change your worktop?
- ✓ Is your power supply due for replacement?
- ✓ Do you want to switch from a fixed to an interchangeable power supply?
- ✓ Do you want to refurbish your entire solution?

As a specialist in medical IT workstations, we are happy to help you. Just ask us for advice.

Powered COW monitors

The energy-efficient DT Research 524T medical All-in-One (AIO) PC is eminently suited for use on the Powered COW.

We can also supply other medical monitors, including AG Neovo, Planar, Rein Medical, Eizo and our own brand of medical monitors.

See our Healthcare IT Solutions brochure for a current overview of available products.



DT Research medical AIO PCs

With internal battery cells



DT Research Medical Cart Computers (medical AIO PCs) with internal battery cells are the perfect combination with Computers on Wheels (COWs) and Workstations on Wheels (WOWs). The wireless, lightweight computer system with 3 swappable battery cells of more than 10 hours' autonomy ensures an efficient workflow for physicians and nurses. The AIO PCs are easy to service and clean and have a low TCO. Optional accessories include a touchscreen, RFID card reader, Smartcard reader and external battery charger.



Features of the DT Research medical AIO PC with internal battery cells

- ✓ All-in-one PC.
- ✓ Up to 3 battery cells with an autonomy of >10 hours.
- ✓ Intel Celeron, i5 or i7 processor.
- ✓ 19", 22" or 24".
- ✓ Optional capacitive touchscreen.
- ✓ Clean according to infection protection guidelines.
- ✓ WiFi and Bluetooth connection.
- ✓ EN60601-1 certified.
- ✓ VESA.
- ✓ Software for remote monitoring, control and upgrades.
- ✓ Fanless.
- ✓ Charging of battery cells in the PC as well as on an external charger.
- ✓ Various options such as a camera and RFID reader.
- ✓ With internal battery cells.
- ✓ IP65 front.

► Find out more at allmodul.nl/aio



22" thin bezel medical AIO PC with internal battery cells

318 x 529 x 58 mm (HxWxD)

Along with the 24", the most frequently used medical AIO PC on our COWs.

- ✓ Storage options: Up to 1TB Flash
- ✓ RAM: 8GB to 16GB
- ✓ Screen resolution: 1280 x 1920
- ✓ USB ports: 2 USB 2.0, 4 USB 3.0
- ✓ 4 COM ports
- ✓ Front panel: IP65; Enclosure: IPX2
- ✓ 2 HDMI-out (1.4a)



24" thin bezel medical AIO PC with internal battery cells

361 x 582 x 57 mm (HxWxD)

Together with the 22", the most frequently used medical AIO PC on our COWs.

- ✓ Storage options: Up to 1TB Flash
- ✓ RAM: 8GB to 16GB
- ✓ Screen resolution: 1280 x 1920
- ✓ USB ports: USB 2.0 x 2, USB 3.0 x 4
- ✓ 4 COM ports
- ✓ Front panel: IP65; Enclosure: IPX2
- ✓ 2 HDMI-out (1.4a)



Art. no. ITAIODTBAT
Battery cells for DT Research medical AIO PCs

Separate battery cells available.



Art. no. ITAIODTEXTLADER6
External battery charger

External battery charger for six batteries.

All to know

IP67 Peripherals



Art. no. ITAMIP67KBNL
Medical keyboard QWERTY

IP67 medical keyboard

- ✓ Available in every language keyboard lay-out (QWERTY, AZERTY, QWERTZ).
- ✓ Water-resistant, dust-free and antibacterial.
- ✓ Suitable for all common disinfectants.
- ✓ Keyboard can be turned off for cleaning.
- ✓ Easy to clean due to smooth surface.
- ✓ Includes 1 antibacterial silicone cover.



Art. no. ITAMIP67MS
IP67 medical mouse

- ✓ Water-resistant, dust-free and antibacterial.
- ✓ Suitable for all common disinfectants.
- ✓ With scroll wheel.

VESA holders

All to know

All Modul offers a wide range of IT solutions for the healthcare industry, including COWs.

We can customize your computer on wheels (COWs) according to your wishes. Do you have a new COW project or do you need COW support for your existing computer on wheels?

With our high-quality product range at attractive prices, we can quickly help you.

We can fully equip your laptop cart or computer on wheels with a hospital monitor, medical PC, medical keyboard or medical mouse to fit your needs.

We will work with you to find the optimal solution for your COW requirements.

Find out more about our comprehensive Healthcare IT product range: allmodul.nl/it-oplossingen



Art. no. ITAMVHHL VESA high/low adjustable monitor holder

All Modul VESA COWs are routinely equipped with this monitor holder.



Art. no. ITAMDMVSI VESA Dual mount monitor holder for two side-by-side monitors

This dual mount VESA holder is perfect for the placement of two side-by-side monitors.

The monitors can move independently of each other.



Art. no. ITAMDMVOT VESA Dual mount monitor holder for two vertically stacked monitors

This VESA dual mount monitor holder has room for two vertically stacked (top and bottom) monitors. The monitors cannot move independently of each other. The sturdy monitor column has no moving parts. Ideal for a cleanroom environment, among other uses.



Art. no. ITAMVHCR VESA monitor holder for use in cleanrooms.

The sturdy monitor column with VESA mounting option has no moving parts. Ideal for a cleanroom environment.

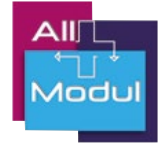


Art. no. ITAMVESAH VESA monitor holder

All Modul VESA COWs are routinely equipped with this VESA monitor holder.



VESA holders



Art. no. ITAMHDVH
Heavy-duty monitor column

Sturdy monitor column that also serves as a cable conduit. The adjustable VESA holder (*art. no. ITAMVESAH*) easily fits in the column opening. Accessories can be hung from the column.



All to know

IP68 Peripherals



Art. no. ITAMIP68KBNL
Medical keyboard QWERTY

IP68 medical keyboard

- ✓ Available in every language keyboard lay-out (QWERTY, AZERTY, QWERTZ).
- ✓ Water-resistant, dust-free, immersion-proof and anti-bacterial.
- ✓ Suitable for all common disinfectants.
- ✓ Keyboard can be turned off for cleaning.
- ✓ Nano silver antibacterial coating. Sealed enclosure prevents soiling.



Art. no. ITAMVHR
Swivel attachment

Swivel attachment for placement between the worktop and adjustable monitor holder. This allows the monitor to be rotated without having to move the COW. Also ideal for creating more visibility when walking or for quickly sharing information with a colleague during admission or treatment.



Art. no. ITAMIP68MS
IP68 medical mouse

- ✓ Water-resistant, immersion-proof, dust-free and antibacterial.
- ✓ Suitable for all common disinfectants.



Art. no. ITAMTABLEHOLDER
Tablet holder

This tablet holder is suitable for all types of tablets. The angle is adjustable. The holder can be locked with a key so that the tablet cannot be removed.

Accessories

Scanners and holders

All to know

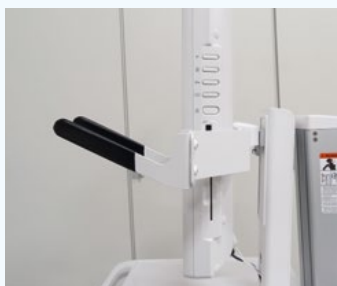
Barcode scanners

All round delivery

We supply all common Zebra and Datalogic hand-held barcode scanners. Suitable for every conceivable use at your healthcare facility.

RFID scanning

RFID employee ID card readers can also be used on our COWs. See page 31.



Art. no. ITAMBSVHUSB



We are a Zebra business partner



We are a Datalogic business partner

Art. no. ITAMCOWSH Barcode scanner holder

Plastic

All Modul COWs are routinely equipped with this scanner holder.



Art. no. ITAMBSHLC Barcode scanner holder for laptop COWs

Epoxy-coated steel

This scanner holder can be used on laptop COWs. The holder is mounted onto the worktop. A host of scanner solutions can be mounted on the holder, provided that the scanner has a self-charger (docking station), as seen in the image.



Art. no. ITAMBSVH VESA barcode scanner holder

Aluminum

This lightweight scanner is mounted onto the VESA monitor holder, making the scanner easily accessible to the user. Available for both wireless scanners with docking station and USB-wired handheld scanners. An additional part is needed for hanging USB handheld scanners (Art. no. ITAMBSVHUSB).



Zebra barcode scanners

USB-wired or wireless hand-held barcode scanners.

Ask about the many options.

See allmodul.nl/zebra



Datalogic barcode scanners

USB-wired or wireless hand-held barcode scanners.

Ask about the many options.

See allmodul.nl/datalogic



Accessories

Miscellaneous accessories



Art. no. ITAMDINRAIL
Reinforced accessory rail

Stainless steel

Different mounting methods are required for each accessory. A solution can be found for every accessory. Ask us for advice.



Did you know?

That All Modul's origins lie in medical logistics?

That All Modul expanded into medical IT solutions in 2016?

That All Modul is an international medical IT workstation specialist?

That we can customize your COWs from A to Z to fit your needs?

Because we supply hospitals and healthcare facilities worldwide, with a focus on Europe, we are well aware of developments regarding medical IT workstations.

We have a solid base of high-quality, attractively priced COW products but we also creatively innovate our COWs further for you as needed. Depending on how you plan to use your medical IT cart, we will be glad to advise you on which type of COW will best meet your needs.



Art. no. 23000009
Waste bin

260 x 200 x 365 mm (WxDxH)
White polypropylene waste bin in an off-white, Rilsan-coated frame.

The waste bin with holder can be easily hung on the accessory rail without any tools.

The accessory rail must be ordered separately.



Art. no. 230000038
Hand alcohol/soap dispenser 500 ml with catch basin

80 x 80 x 320 mm (WxDxH), including elbow operation

Mounted on the accessory rail with clamp.

Art. no. 230000039
Hand alcohol/soap dispenser 1000 ml with catch basin

90 x 90 x 370 mm (WxDxH), including elbow operation

Mounted on the accessory rail with clamp.

Accessories

Miscellaneous accessories

All to know

Accessories

All Modul COWs

All accessories are suitable for the All Modul COW.

A limited number of accessories are available for the S-COW.

Stainless steel holders

We supply many types of stainless steel holders. Each healthcare facility has its own requirements, with which we are happy to oblige.

Holders for glove dispensers, disinfectants, needle containers, etc.

Diagnostic equipment

Many diagnostic devices are suitable for mounting on our COWs.



Art. no. 230000004

Glove box holder

Rilsan holders



Art. no. 230000001

Needle container holder, semi-circular

Stainless steel semi-circular 130 x 130 mm

The clamp screw (*art. no. 230000190*) for mounting on the accessory rail must be ordered separately.

Other holder sizes are available.



Art. no. ITAMCOWZD

Soap dispenser holder

Stainless steel

Holder for soap/disinfectants.



Art. no. ITAMCOWMH

Cleaning wipes holder

Stainless steel

Holder for various containers of cleaning wipes.



Various holders for diagnostic equipment

Special holders for diagnostic equipment from various brands, including Hillrom, Mindray, Phillips and GE.





Art. no. 23000027
Holder with 3-compartment tilt bin

301 x 140 x 150 mm (WxDxH)
White polystyrene holder with transparent tilt bins

The tilt bin can be separated into three compartments with dividers. The example shows two holders with a total height of 300 mm. This item requires a specific mounting part (*Art. no. ITAMTILTBIN*) which has to be ordered separately.



Art. no. 230040002
Infusion stand

Chrome-plated steel

Infusion stand, height-adjustable with plastic quick coupler.

This is usually mounted on the COW's column.



Art. no. ITAMCOWBOTTR
Bottom tray for the COW

Solidly designed, stable tray, e.g. for printer placement. Suitable for storing or transporting many types of equipment.



Art. no. ITAMCOWODM
Storage compartment for file folders

Laminated holder with three compartments for storage of file folders.



Art. no. ITAMCOWONXW
Fold-out extra worktop

The fold-out worktop is manually operated. A Trespa 30x40 shelf that can serve as additional workspace is permanently mounted on the mechanism.

All to know

Tilt bins

Cleaning

Parts can be manually cleaned with neutral disinfectants. Products containing alcohol should not be used on the holders with tilt bins.

Temperature tolerance

Max. 50°C

Applications

The tilt bins are especially suitable for storing small items. Retrieving items from the bins is easy, thanks to the large grab opening created when the bins are tilted open.

The bins can also be used in a storage area or for the technical service, for example. They can be mounted directly on walls and cabinets.

Holder mounting

The tilt bin holders are mounted onto the COW by our technicians.

Variations

A 600 mm-wide tilt bin holder is available for use with multiple tilt bins. A FIFO version of the tilt bins is also available.

Ask us for advice.

Accessories

Plastic drawer system

All to know

Drawer systems

Drawer dividers

Dividers are available for each drawer system.

Drawer locking system

Each drawer system has its own locking options. The 1/1 module holder has the most advanced lock solution.

Medication drawers

The COW below has been outfitted with a modular medication cassette with twelve 120 mm-wide medication drawers. A Zebra printer and a Datalogic scanner complete the medication dispensing system.



For more information about the 1/1 modular medication cassette, see pages 28 and 29 of this brochure.

Plastic drawer system for All Modul COWs

Budget drawer system.

The standard external dimensions of the drawer unit are 426 x 108 x 415 mm (WxHxD). The standard internal dimensions of a drawer are 399 x 70 x 298 mm (WxHxD).

Useful when the drawer isn't needed for each visit, but only for consulting references, for example.

Routinely equipped with a key lock.



ITAMCOWKL Plastic drawer

The drawer comes with three dividers for four compartments.



ITAMCOWKLG Double-high plastic drawer

The drawer comes with three dividers for four compartments.

The standard external dimensions of the double-high drawer unit are 430 x 216 x 407 mm (WxHxD).

The standard internal dimensions of a double-high drawer are 345 x 180 x 290 mm (WxHxD).



ITAMCOWKLMED Plastic drawer unit with 4 medication bins

The standard external dimensions of the drawer unit are 426 x 108 x 415 mm (WxHxD). The standard internal dimensions of a medication drawer are 85 x 75 x 296 mm (WxHxD). Each medication drawer comes with three dividers for four compartments.



Aluminum drawer system



Aluminum drawer system

White, epoxy-coated enclosure.

Robust, aluminum drawer system.

A drawer unit has the possibility for multiple layers of drawers, with optional separations and a key or a PIN code lock for each layer.

There is also a raised edge available on top of the drawer unit, e.g. for placement of a medication tray.



Standard external and internal dimensions:

Drawers	External dimensions WxHxD in mm	Internal dimensions WxHxD in mm
Large Art.nr. ITAMCOWAL	500 x 150 x 330 mm	450 x 110 x 300 mm
Medium Art.nr. ITAMCOWALM	450 x 150 x 330 mm	400 x 110 x 300 mm
Small Art.nr. ITAMCOWALK	450 x 110 x 330 mm	400 x 70 x 300 mm



Customization is possible for orders of 25 units or more.

Art. no. of the raised edges for the three different sizes of drawer units:

Large: **ITAMCOWALR**

Medium: **ITAMCOWALMR**

Small: **ITAMCOWALKR**



A heavy-duty column is required when adding a drawer system or medication cassette.

Art. no. **ITAMCOWHDK**



Ready to Roll deliveries are available.

Ask us about the terms and conditions.

Accessories

1/2 modular module holder

All to know

1/2 modular

Semi-modular modules

All of our 300 x 400 mm modules fit in the drawers of the 1/2 modular module holder.

See our modules brochure for a complete overview.



All of our brochures can be downloaded at allmodul.nl/download

Art. no. ITAMCOW34MH-20

Module holder for All Modul COWs
300 x 400 mm with a height of 200 mm

This innovative module holder for COWs is suitable for 1/2 or semi-modular modules within the ISO 3394 system.

The steel enclosure and telescopic drawers feature the same quality as our popular loading carts. The holder has a key lock. Each drawer has its own plastic handle. These are available in three colors: light gray, dark blue and red.

Multiple drawer arrangements are possible within the fixed height of 200 mm.

The most popular drawer arrangement is:

- 2 x 100 mm high

Also available is a module holder with a height of 300 mm (*Art.no. ITAMCOW34MH-30*).

The most popular drawer arrangements of the 300 mm high module holder are:

- 3 x 100 mm high
- or:
- 1 x 100 mm high
- 1 x 200 mm high



1/1 modular module holder



Art. no. ITAMCOW64MH-30
 Module holder for All Modul COWs
 600 x 400 mm

This innovative module holder for COWs is suitable for modules within the ISO 3394 system.

The steel enclosure and telescopic drawers feature the same quality as our popular loading carts. Each drawer has its own plastic handle. These are available in multiple colors.

Multiple drawer arrangements are possible within the fixed height of 300 mm.

The most popular drawer arrangements are:

- 2 x 50 mm high
 - 2 x 100 mm high
- or:
- 1 x 100 mm high
 - 1 x 200 mm high

A lock operated by either PIN code or a Mifare employee ID card, with optional track & trace function, can be mounted on the module holder.



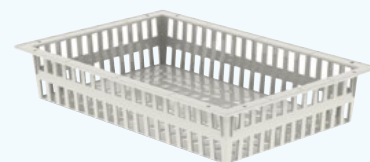
All to know

1/1 modular

Fully modular modules

All of our 600 x 400 mm modules fit in the drawers of the 1/1 modular module holder.

See our modules brochure for a complete overview.



All of our brochures can be downloaded at allmodul.nl/download

Medication COW with IT

MedEye application





Art. no. ITAMLWMEH
MedEye holder

The holder is mounted onto the monitor column (or accessory stand). This makes MedEye always within easy reach.



Modular medication cassettes

This innovative, portable, modular medication cassette is designed in modular sizes – 600 x 400 mm. The cassettes slide effortlessly into every cart, rack, COW or cabinet built for the ISO 3394 system.

A wide range of accessories is available: key, Mifare or other electronic (code) locks; medication drawer dividers and separators; cover plates for the information box; etc.

The medication cassettes are available in white and off-white plastic. They have between one and five layers, with 4 to 30 medication drawers, respectively.

More to know

Modular medication cassette

We have a comprehensive brochure available about our modular medication cassette for your carts.

allmodul.nl/download



Electronic code locks

Electronic code locks are opened and closed with:

- ✓ PIN code
- ✓ Combination of PIN code and (Mifare) employee ID card

Easy to open with PIN code:

Art. no. 230000003

Kitlock KL1000



Medication cassette holder for All Modul COWs

Art. no. ITAMCOWMCHU

Holder for removable medication cassette.



Art. no. ITAMCOWMCHV

Medication cassette holder for permanent mounting of the medication cassette to the COW.



With advanced functions:

Open with a combination of PIN code and employee ID card: LS400

Color white: **Art. no. LS400BHW**

Color black: **Art. no. LS400BHZ**

All Modul COW with IT

Powered COW





1 Medical monitors for the All Modul Powered COW

The Powered COW shown in the adjacent image has a Planar AIO PC. We can also supply other medical AIO PCs or monitors, including those by DT Research, AG Neovo, Rein Medical, Eizo and our own brand of medical monitors.



2 Keyboards and mice, including by All Modul, Medigenic, Purekeys and Man&Machine

We supply various brands of medical keyboards and mice, including Medigenic or a Purekeys keyboard with integrated touchpad.



3 Art. no. ITAMMIFPL Mifare RFID card reader

A Mifare RFID card reader can be mounted underneath the worktop. A sticker can be placed on top of the worktop to alert users to the reader's presence.



4 Art. no. ITAMCOWPTT Printer tray

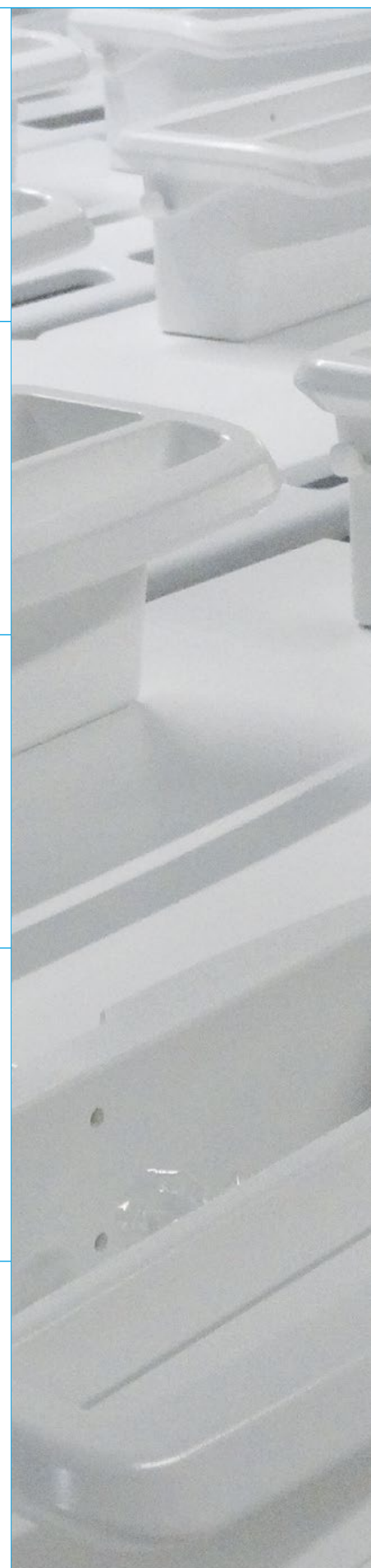
Simple Trespa tray, e.g. for printer placement. Suitable for storing or transporting many types of equipment.



Zebra (label) printers

Zebra printers for wristbands or other labeling.

For more information, visit allmodul.nl/zebra

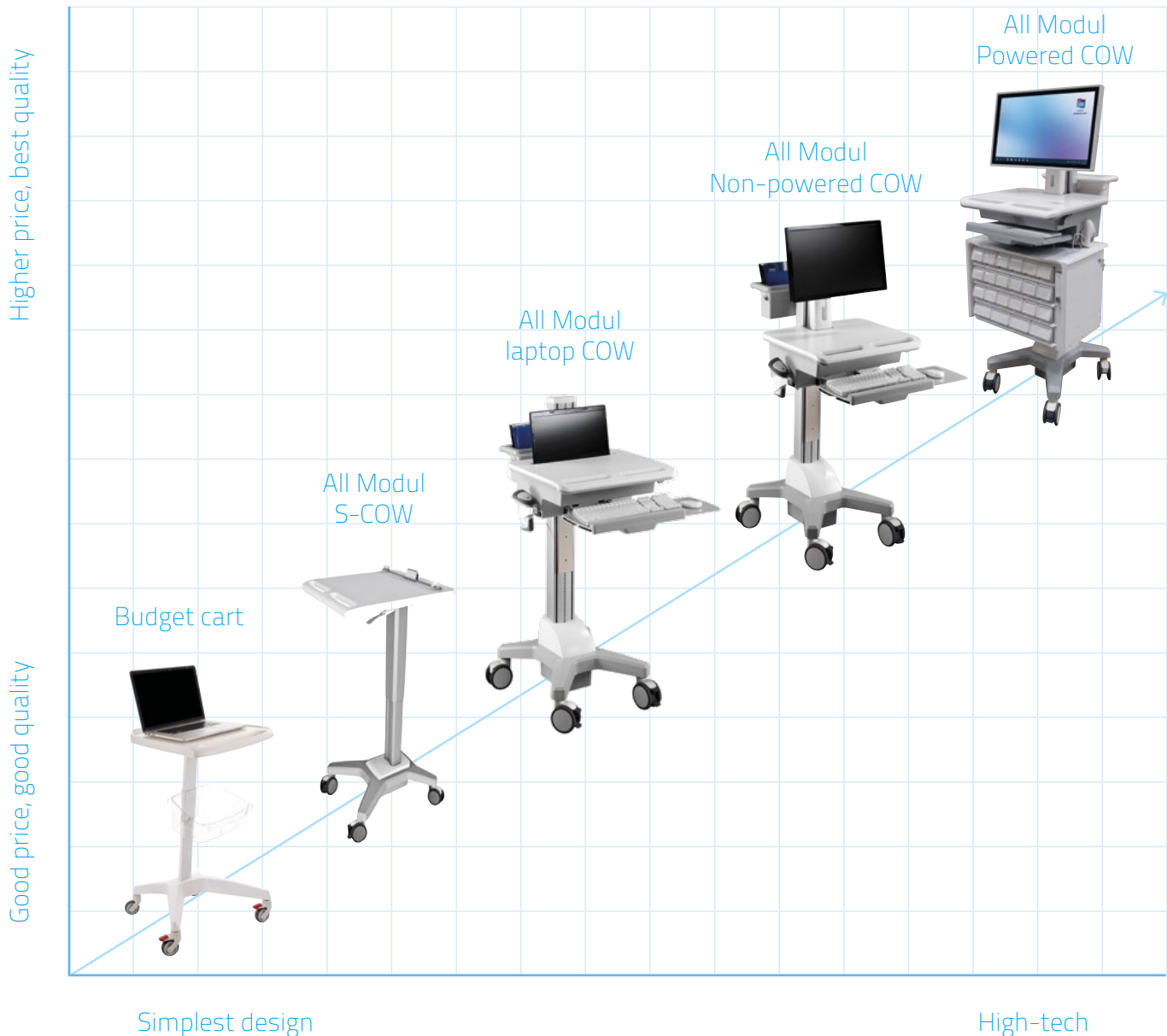


All Modul Healthcare IT

Complete COW product range



This brochure provides information about the various All Modul COWs. We can supply various Computer on Wheels versions and designs, from a budget cart to a durable high-end COW. Customization is also possible. We can also advise you on how to extend the COW's service life and how to transition from older to new COWs.



All Modul contact information

All Modul Health IT BV
Damzigt 13
3454 PS De Meern
The Netherlands

T: + 31 (0)30 2040260
F: + 31 (0)30 2040261
info@allmodul.nl

Your contact:
Rob Wanschers
Healthcare IT specialist

