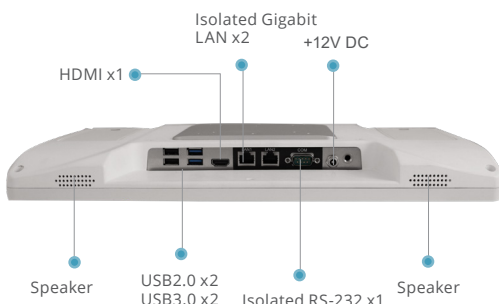


Medical Power Panel PC

Venus-153

15.6" Intel i7/i5/i3 Medical Panel PC with Dual Battery



Features

- Highest level of medical safety protection , EMC4.0/ Safety 3.1
- Cleanability with hospital solvents
- Hot swappable design, support 24/7 run time
- Intel® Skylake Dual-Core i5
- Support remote monitor/control/update (ORION compatible)
- isolated LAN / COM port

Specifications

MAIN SPECIFICATIONS

| | |
|------------------------|--|
| Processor | Intel® Skylake Dual-Core i5 / Celeron 3955U |
| System Memory | DDR4 up to 16GB |
| OS Support | Microsoft® Windows 7 Microsoft® Windows 8.1 Microsoft® Windows 10 Ubuntu 18.04 LTS IGEL (thin client solution) |
| Graphics | Intel® HD Graphics 520 |
| Storage | M.2 SSD up to 512GB (optional) |
| Wireless Communication | 802.11 ac/a/b/g/n + BT 4.0 (optional) |
| Touch | Project Capacitive Touch / Resistive Touch |
| Speaker | 3W x2 |
| Security | TPM 2.0 |

DISPLAY

| | |
|-------------------|-------------|
| Display Size | 15.6" |
| Resolution | 1920 x 1080 |
| Max. Colors | 262K |
| Contrast Ratio | 500:1 |
| Luminance (cd/m2) | 220 |

I/O

| | |
|-----------|------------------------|
| USB | USB 3.0 x2, USB 2.0 x2 |
| Video Out | HDMI x1 |
| COM | COM port x1 |
| Ethernet | Gigabit LAN x 2 |
| DC-in | 12V DC-in x1 |

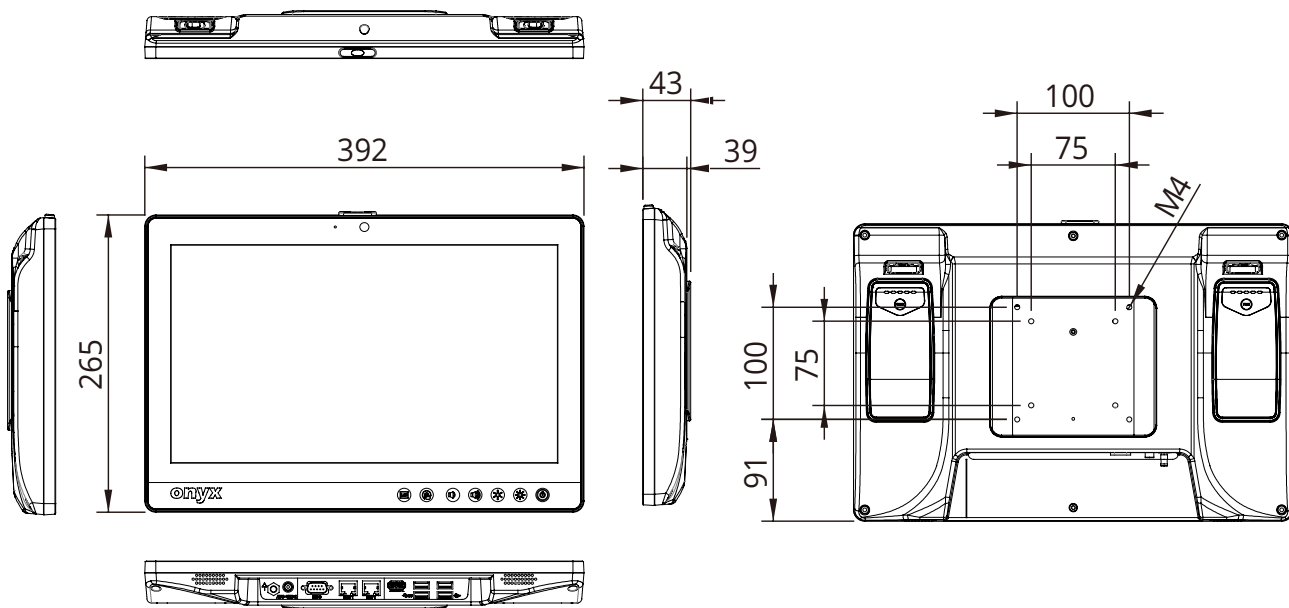
MECHANICAL AND ENVIRONMENTAL

| | |
|-----------------------|---|
| VESA | 75/100 mm VESA mount |
| Operating Temperature | 0°C – 35°C(32°F – 95°F) |
| Storage Temperature | -20°C – 60°C(-4°F – 140°F) |
| Storage Humidity | 10%~95%@40°C, non-condensing |
| Degree of Protection | Front Panel: IP65 ; Rear: IPX1 |
| Dimension | 392(L) x 43(W) x 265(H) mm |
| Net Weight | 2.7kg |
| Packing Size | 520(L) x 190(W) x 400(H) mm |
| Gross Weight | 4.7 Kg |
| Certifications | CE: EN 60601-1-2:2015(V4.0), EN 60601-1:2006/ A1:2013(V3.1) FCC: Part 18 Class B UL: ANSI/AAMI ES60601-1:2012 (V3.1) cUL: CAN/CSA-C22.2 No. 60601-1:2014 (V3.1) |

ALL PRODUCT, PRODUCT SPECIFICATIONS AND DATA ARE SUBJECT TO CHANGE WITHOUT NOTICE TO IMPROVE RELIABILITY, FUNCTION OR DESIGN OR OTHERWISE.

15.6" Intel i7/i5/i3 Medical Panel PC with Dual Battery

Dimension / Unit: mm



Ordering Information

- VENUS-153-R63-A1-0001
Mobile Computer , i5 6300U ,15.6" Fanless, R-TS . TPM . Battery x 2
- VENUS-153-P39-A1-0001
Mobile Computer , Celeron 3955U ,15.6" Fanless, PCAP . TPM . Battery x 2

Optional Accessories

- 1757306039
Medical Adaptor , 12V/60W
- OPM-C15W-A5
WLAN dual band module Kit.Intel 802.11a/b/g/n/ac+BT 5.
- UP-M62-A1-1010
6-Slot Charger + 24V / 120W adaptor
- OPM-V02C-03
5MP Camera kit with Mic