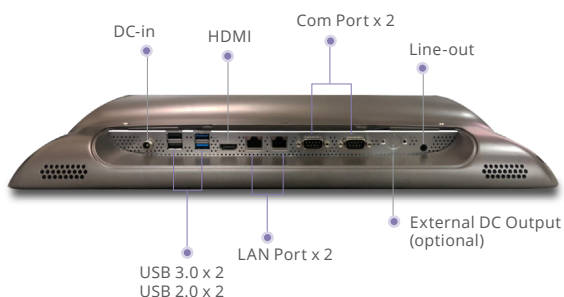


Medical Cart Computer

Venus-193

19" Dual Hot Swappable Battery Medical Cart Computer



Features

- Highest level of medical safety protection
- Cleanability with hospital solvents (front IP65)
- Hot swappable design, support 24/7 run time
- Intel® Skylake Dual-Core i5 / Celeron 3955U
- Support remote monitor/control/update (ORION compatible)
- Lightweight design
- Front reading light bar

Specifications

MAIN SPECIFICATIONS

Processor	Intel® Skylake Dual-Core i5 / i7 , Celeron 3955U
System Memory	DDR4 up to 32GB
OS Support	Microsoft® Windows 7 Microsoft® Windows 8.1 Microsoft® Windows 10 (64bit) Ubuntu 18.04 LTS IGEL (thin client solution)
Graphics	Intel® HD Graphics 520
Storage	SSD up to 512GB (optional)
Wireless Communication	802.11 ac/a/b/g/n + BT 4.0 (optional)
Touch	R-TS
Speaker	2W x2
Security	TPM 2.0 Smart Card Reader, RFID ISO 15693/14443A (optional)

DISPLAY

Display Size	19" panel
Resolution	1280 x 1024
Max. Colors	16.7M
Contrast Ratio	1000:1
Luminance (cd/m2)	250

I/O

USB	Rear I/O :USB 3.0 x2, USB 2.0 x2 Side I/O : USB 3.0 x2
Video Out	HDMI 1.4 x1
COM	COM port x2
Audio	Combo audio port x1
Ethernet	Gigabit LAN x2
DC-in	24V DC-in x1

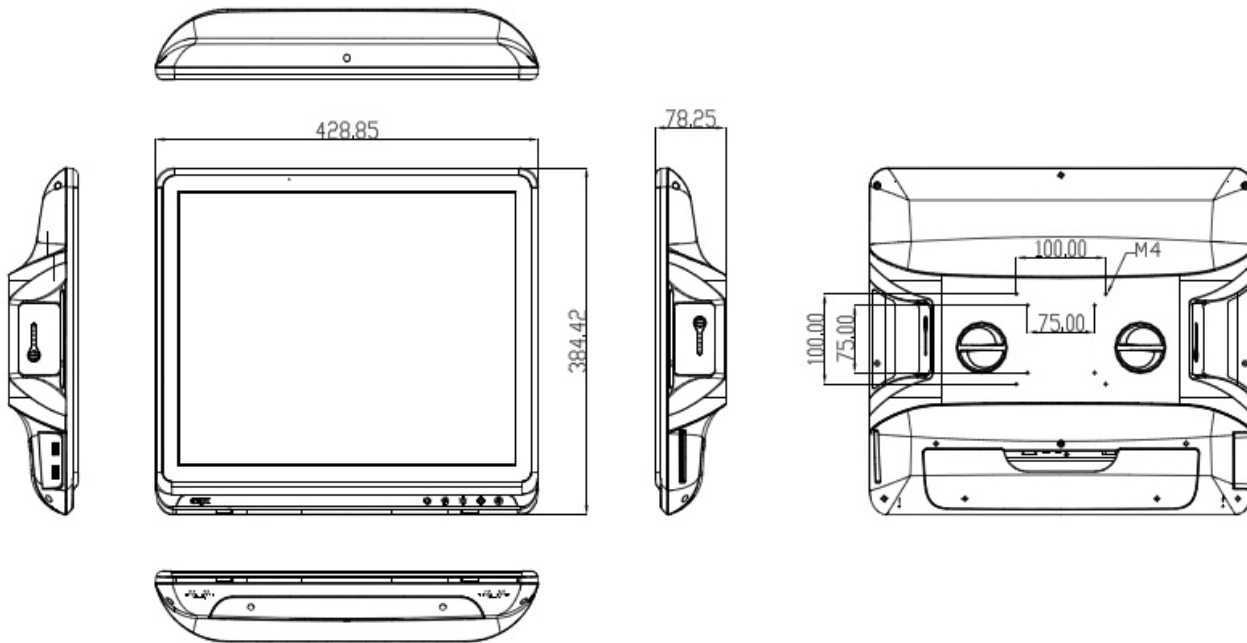
MECHANICAL AND ENVIRONMENTAL

VESA	75/100 mm VESA mount
Operating Temperature	0°C ~ 35°C(32°F ~ 95°F)
Storage Temperature	-20°C ~ 60°C(-4°F ~ 140°F)
Storage Humidity	10%~95%@40°C, non-condensing
Degree of Protection	Front Panel: IP65 ; Rear: IPX1
Dimension	429(L) x 78(W) x 384(H) mm
Net Weight	5.5kg (12.13 lbs)
Packing Size	540(L) x 205(W) x 503(H) mm
Gross Weight	9kg (19.84 lbs)
Certifications	CE: EN 60601-1-2:2015(V4.0), EN 60601-1:2006/ A1:2013(V3.1) FCC: Part 18 Class B UL: ANSI/AAMI ES60601-1:2012 (V3.1) CUL: CAN/CSA-C22.2 No. 60601-1:2014 (V3.1)

ALL PRODUCT, PRODUCT SPECIFICATIONS AND DATA ARE SUBJECT TO CHANGE WITHOUT NOTICE TO IMPROVE RELIABILITY, FUNCTION OR DESIGN OR OTHERWISE.

19" Dual Hot Swappable Battery Medical Cart Computer

Dimension / Unit: mm



Ordering Information

- VENUS-193ET-A6-1010
Cart Computer. i5. 19". Fanless. R-TS. 4GB .SCR. TPM. XL Battery x 2

Optional Accessories

- 1255301501
Medical Adaptor. 100-240V/1.0-2.5A 24V/6.25A 150W
- OPM-S02R-A2
RFID Reader Kit
- OPM-C10W-A9
WLAN dual band module kits. INTEL 802.11ac/a/b/g/n + BT
- OPM-C12W-A9
WLAN dual band module kits. Atheros 802.11a/b/g/n + BT 4.0
- UP-L62-A1-1010
6-Slot Charger +24V/250W adaptor
- UP-P22-A2-1010
2-Slot Charger + 24V Medical adaptor
- OPM-V02C-04
5MP Camera kit with Mic