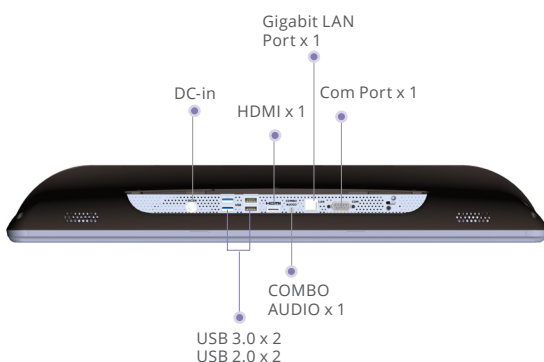
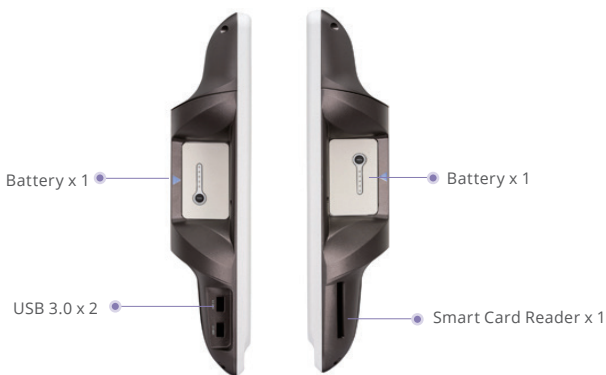


# Medical Cart Computer

## Venus-243

### 23.8" Dual Hot Swappable Battery Medical Cart Computer



## Features

- Highest level of medical safety protection , EMC4.0/ Safety 3.1
- Cleanability with Hospital Solvents (front IP65)
- Hot swappable design, support 24/7 run time
- Intel® Skylake Dual-Core i5 / i7
- Support remote monitor/control/update (ORION compatible)
- Lightweight design
- Front reading light bar

## Specifications

### MAIN SPECIFICATIONS

Processor	Intel® Skylake Dual-Core i5 / i7 , Celeron 3955U
System Memory	DDR4 up to 32GB
OS Support	Microsoft® Windows 7 Microsoft® Windows 8.1 Microsoft® Windows 10 Ubuntu 18.04 LTS IGEL (thin client solution)
Graphics	Intel® HD Graphics 520
Storage	SSD up to 512GB (optional)
Wireless Communication	802.11 ac/a/b/g/n + BT (optional)
Touch	PCT
Speaker	2W x2
Security	TPM 2.0 (Trusted Platform Module), Smart Card Reader, RFID ISO 15693/14443A (optional)

### DISPLAY

Display Size	23.8" VA panel
Resolution	1920 x 1080
Max. Colors	16.7M
Contrast Ratio	3000:1
Luminance (cd/m2)	250

### I/O

USB	Rear I/O: USB 3.0 x 2, USB 2.0 x 2 Side I/O : USB 3.0 x 2
Video Out	HDMI out x1
COM	COM port x1
Audio	Combo audio port x1
Security	Kensington slot
Ethernet	Gigabit LAN x1
DC-in	24V DC-in x1

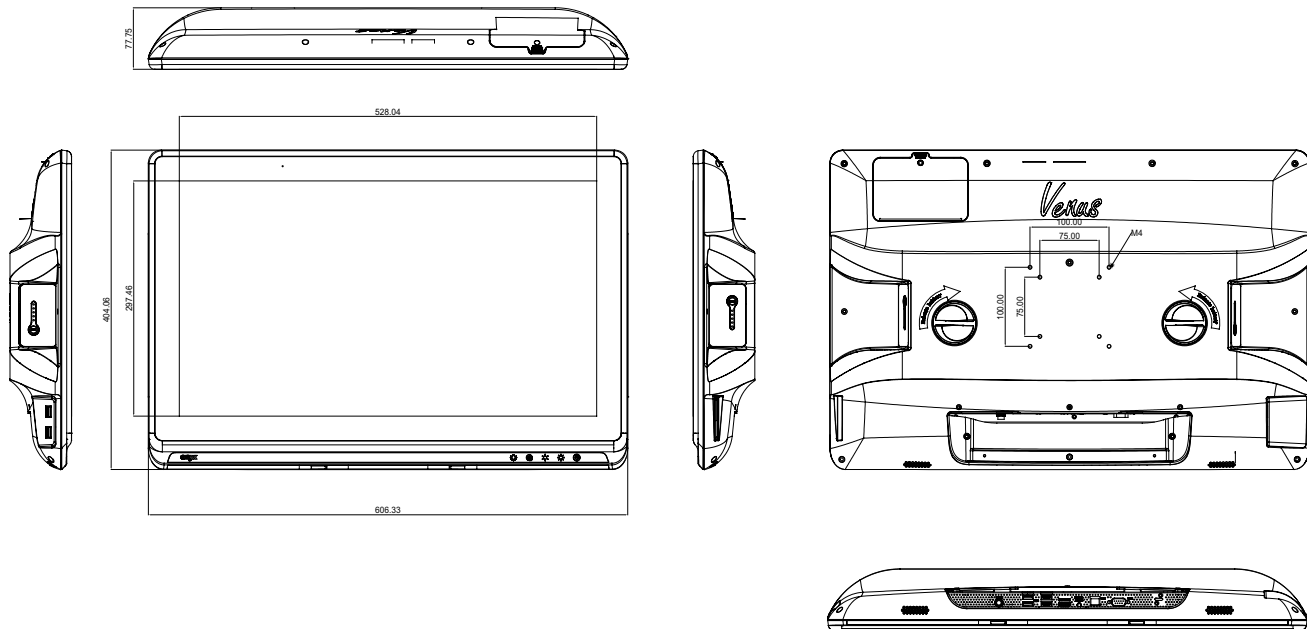
### MECHANICAL AND ENVIRONMENTAL

VESA	75/100 mm VESA mount
Operating Temperature	0°C ~ 40°C (32°F ~ 104°F)
Storage Temperature	-20°C ~ 60°C (-4°F ~ 140°F)
Storage Humidity	10%~95%@40°C, non-condensing
Degree of Protection	Front Panel: IP65 ; Rear: IPX1
Dimension	607(L) x 78(W) x 404(H) mm
Net Weight without Battery	8kg (17.6 lbs)
Packing Size	730(L) x 240(W) x 550(H) mm
Gross Weight	12kg (26.5 lbs)
Certifications	CE: EN 60601-1-2:2015(V4.0), EN 60601-1:2006/ A1:2013(V3.1) FCC: Part 18 Class B UL: ANSI/AAMI ES60601-1:2012 (V3.1) cUL: CAN/CSA-C22.2 No. 60601-1:2014 (V3.1)

ALL PRODUCT, PRODUCT SPECIFICATIONS AND DATA ARE SUBJECT TO CHANGE WITHOUT NOTICE TO IMPROVE RELIABILITY, FUNCTION OR DESIGN OR OTHERWISE.

## 23.8" Dual Hot Swappable Battery Medical Cart Computer

Dimension / Unit: mm



### Ordering Information

- VENUS-243ST-A1-1010  
Cart Computer.i5.6300U,24".Fanless.PCT.4G RAM.SCR.TPM. XL Battery x2
- VENUS-243E-A3-0402  
Cart Computer.3955U. 24".Fanless.4G RAM.SCR.TPM. XL Battery x2

### Optional Accessories

- 1255301501  
Medical Adaptor. 100-240V/1.0-2.5A 24V/6.25A 150W
- OPM-S02R-A1  
RFID Reader Kit
- OPM-C15W-A8  
WLAN dual band module Kit.Intel 802.11a/b/g/n/ac+BT 5.
- UP-L62-A1-1010  
6-Slot Charger + 24V/250W adaptor
- UP-P22-A2-1010  
2-Slot Charger + 24V Medical adaptor
- OPM-V02C-05  
5MP Camera kit with Mic