

# Mobile Medical Tablet

## MD116E

### 12" Fanless Intel Pentium Medical Tablet



## Features

- Intel® ELKhart Lake Pentium N6415
- Dual hot-swappable batteries for 24/7 operation
- Dual smart card readers for multiple-care workflow
- Standard USB 3.0 Type-A / Type-C (Data & External Display)
- RJ45 Ethernet for easy connection to medical devices
- IP54 certified & 3 feet drop resistant
- ORION client compatible
- Instant vehicle docking system
- Automotive Directive and EN1789 compliance for ambulances/medical transportation vehicles

## Specifications

### MAIN SPECIFICATIONS

|                        |                                                                |
|------------------------|----------------------------------------------------------------|
| Processor              | Intel® ELKhart Lake Pentium N6415 3.0 GHZ                      |
| System Memory          | DDR4 SO-DIMM x1, 4 GB (Up to 16 GB)                            |
| OS Support             | Microsoft® Windows 10, Windows 11 IOT / Linux ubuntu 20.04 LTS |
| Storage                | M.2 Interface x1, SATA/NVMe 64 GB (up to 1TB)                  |
| Wireless Communication | 802.11 a/b/g/n /AC/AX + BT5.2 (Optional)                       |
| Camera                 | 2 MP (Front) / 8 MP (Rear)                                     |
| Touchscreen            | Projected Capacitive Touchscreen, w/Gorilla Glass              |
| 3-AXIS G-Sensor        | Yes                                                            |
| Ambient Light Sensor   | Yes                                                            |
| Wi-Fi                  | Dual Wi-Fi 6 slots                                             |
| LTE+GPS                | Sierra EM7421 x2 (Optional) [5G Sierra EM 9291 Supported]      |
| Function Keys          | x2                                                             |
| LED Indicators         | x2                                                             |
| Speaker                | 2W x2                                                          |
| Internal Mic           | x1                                                             |
| Power Requirement      | DC 12V                                                         |
| Security               | Smart Card Reader x2, RFID x1 (optional)                       |

### DISPLAY

|                   |                                 |
|-------------------|---------------------------------|
| Display Size      | 11.6" 16:9 Widescreen LED Panel |
| Resolution        | FHD 1920 x 1080                 |
| Max. Colors       | 16.7M                           |
| Contrast Ratio    | 800:1                           |
| Luminance (cd/m2) | 300nits, 600nits                |

### I/O

|          |                                                                |
|----------|----------------------------------------------------------------|
| USB      | USB 3.0 (Type-A) x1, USB 3.0 (Type-C with External Display) x1 |
| Ethernet | Gigabit LAN x1                                                 |
| DC-In    | DC-in Jack x1                                                  |
| Docking  | Docking Connector x1                                           |

### BATTERY PACK

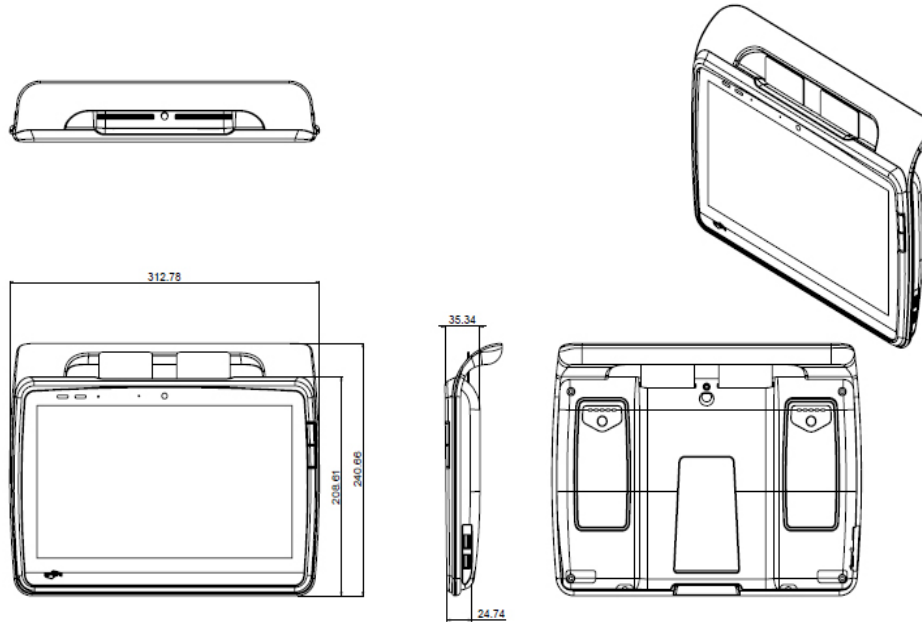
|                  |                       |
|------------------|-----------------------|
| Battery Type     | Li-ion                |
| Battery Capacity | 4545 mAh (32.72Wh) x2 |
| Battery Run Time | Approx. 8 hrs         |

### MECHANICAL AND ENVIRONMENTAL

|                       |                                                                                                                                                                                                                                  |
|-----------------------|----------------------------------------------------------------------------------------------------------------------------------------------------------------------------------------------------------------------------------|
| VESA                  | VESA 75 via docking station                                                                                                                                                                                                      |
| Degree of Protection  | IP54                                                                                                                                                                                                                             |
| Operating Temperature | 0° C ~ 40° C (32° F ~104° F)                                                                                                                                                                                                     |
| Storage Temperature   | -20° C ~ 60° C (-4° F ~ 140° F)                                                                                                                                                                                                  |
| Storage Humidity      | 10%~95%@40°C, non-condensing                                                                                                                                                                                                     |
| Dimensions            | 312 (W) x 239 (H) x 37 (D) mm                                                                                                                                                                                                    |
| Packing Size          | 400 x 345 x160 mm                                                                                                                                                                                                                |
| Gross Weight          | 3 kg (6.6 lb)                                                                                                                                                                                                                    |
| Net Weight            | Approx. 1.45~1.8 kg (3.2 lb~3.97 lb)                                                                                                                                                                                             |
| Certifications        | CE: EN 60601-1-2:2020 (EMC4.1), EN 60601-1:2020 (Safety 3.2), EN 300 328 (V2.1.1), EN 301 893 (V2.1.1)<br>FCC: Part 18 Class B, Part 15 C/E<br>UL: ANSI/AAMI ES60601-1:2012 (V3.1)<br>CUL: CAN/CSA-C22.2 No. 60601-1:2014 (V3.1) |

## 12" Fanless Intel Pentium Medical Tablet

## Dimensions / Unit: mm



## Ordering Information

- ONYX-MD116E-P1-A1-0001  
Tablet.N6415.11.6".FHD.300nits.C-TS(G).SCR.F/R-Camera.RFID.WiFi/BT.Battery(x2)
- ONYX-MD116E-P1-A1-0002  
Tablet.N6415.11.6".FHD.600nits.C-TS(G).SCR.F/R-Camera.RFID.WiFi/BT.Battery(x2)

## Optional Accessories

- 125530120D  
Medical Adaptor.AC/DC.100-240V.12V/ 10A,120W.